

MADE IN ITALY



INDUSTRIAL range



OS Oil-free Scroll compressors



Fixed speed
2.2-22 kW

When choose a SCROLL compressor?

The new range of "OS" compressors, with oil-free scroll technology, is the result of many years of Fini experience in the field of industrial compressed air.

This innovative range opens up a new world of possibilities for all those applications where the total absence of oil is required, ensuring longer working life of the plants, resulting in lower operating costs, in addition to granting the highest quality standard of the final product.

FIELD OF APPLICATION	CLASS	Total oil concentration mg/m ³
As specified by the equipment user or supplier and more stringent than class 1 - ISO8573-1	0	0.00
Medical, chemical, biotechnologies, food and beverages, pharmaceuticals, electronics, packaging, PET bottles.	1	≤ 0.01
Paper industry, photographic laboratories, colour injectors.	2	≤ 0.1
Control instruments, sand-blasting.	3	≤ 1
Low-performance sand-blasting.	4	≤ 5

Totally oil-free compressed air is a specific requirement in many production processes. The oil-free Scroll OS range developed by Fini satisfies all these sectors, with a dynamical range of power and model sizes from 2.2 to 22 kW, at 8 or 10 bar. Scroll pumps are certified in Class 0, in accordance with ISO8573-1 directives.

- Pharmaceutical industry
- Medical Laboratories
- Food and Beverages industry
- Chemical industry
- Special food treating equipment
(milking robots)
- Laser equipment processes
- Packaging, PET bottles
- Industrial painting.



Why choose a SCROLL compressor?

- To supply user-friendly OIL-FREE COMPRESSED AIR.
- To reduce installation and maintenance costs (no expensive and complicated compressed air filters networks).
- To increase efficiency in all areas of the compressor operation.
- To save energy and environmental costs.
- To provide the most modern, compact, robust, reliable and durable oil-less rotary compressor.
- To promote industrial processes safeguarding ambient sustainability.



Energy saving

Thanks to the use of **IE3 Premium Efficiency electric motors**, the OS range is fully focused on combining maximum reliability with optimum energy efficiency.

Very silent

The Fini OS range is extremely quiet and can be installed in virtually any environment ensuring the comfort and safety of all operators, with minimum impact to the surroundings.

High quality compressed air

The OS models with air receiver are optionally available with refrigerated dryer, ensuring high quality compressed air, allowing operating efficiency and providing improved final product quality.

Extremely easy maintenance

All components subject of regular maintenance are easily and quickly accessible, allowing to minimize maintenance cost.

Flexibility

A very flexible modular system to allow different configurations to suit any requirements: with 1, 2, 3, or 4 scroll units, with or without air receiver, with or without refrigerated dryer.

Robust design

The OS oil-free scroll compressors are built using the highest quality components throughout. The attention to detail in the build, finishing and testing of the product results in a high performance, high reliability and silent operation.

Compact design

The extremely compact design of these compressors allows installation in any work environment.

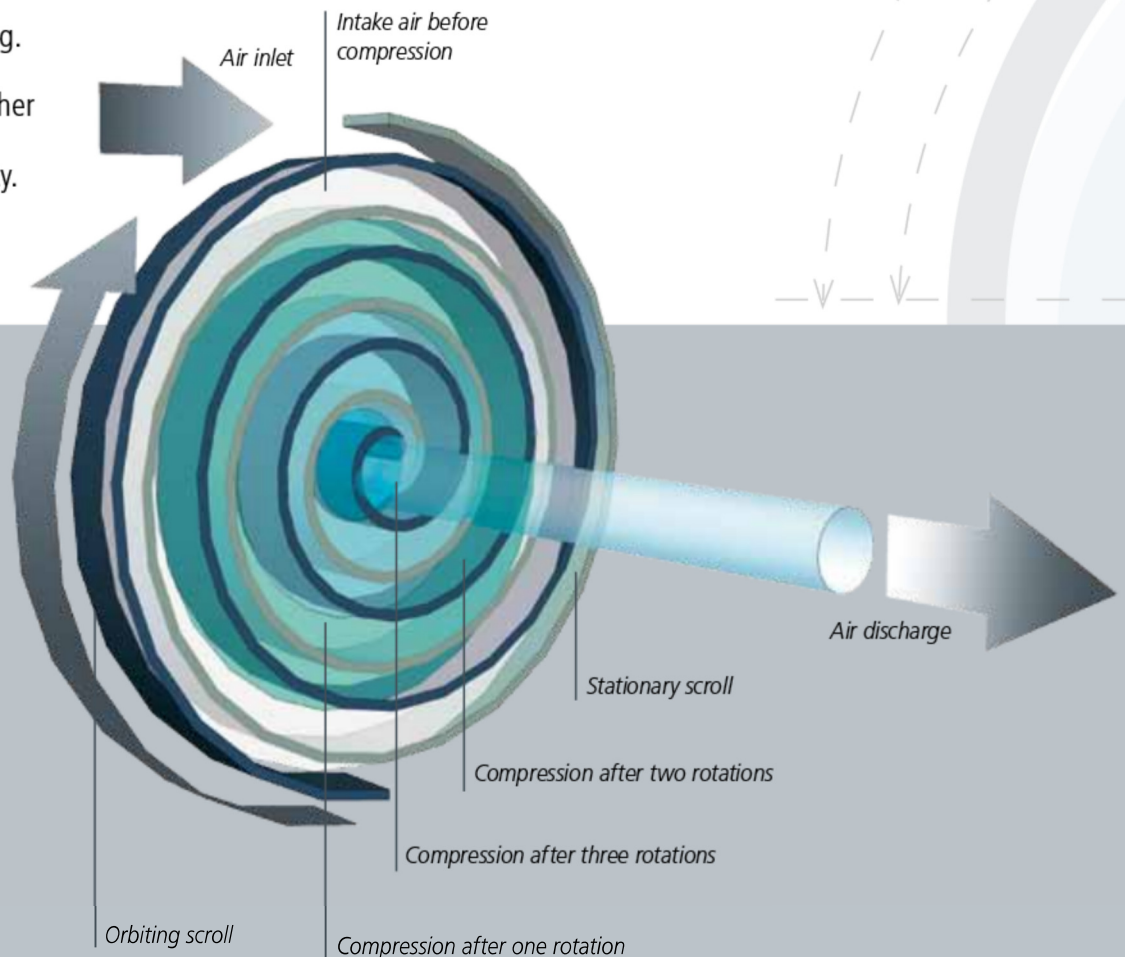


Spiral scroll-technology...

Two spirals without any metal-to-metal contact in between, intake air and compress it in 3 successive phases to deliver it at 8 or 10 bar of pressure. The simple process allows a smooth contact-free operation of the scrolls and thus provides a very long service life to all the components and therefore of the complete unit.

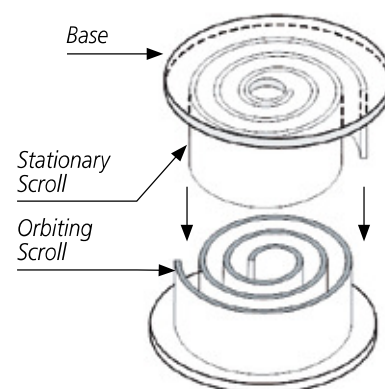
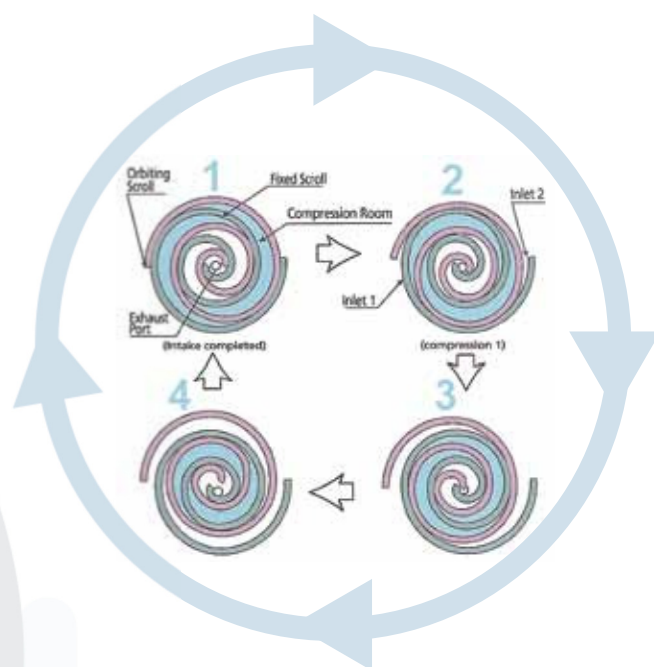
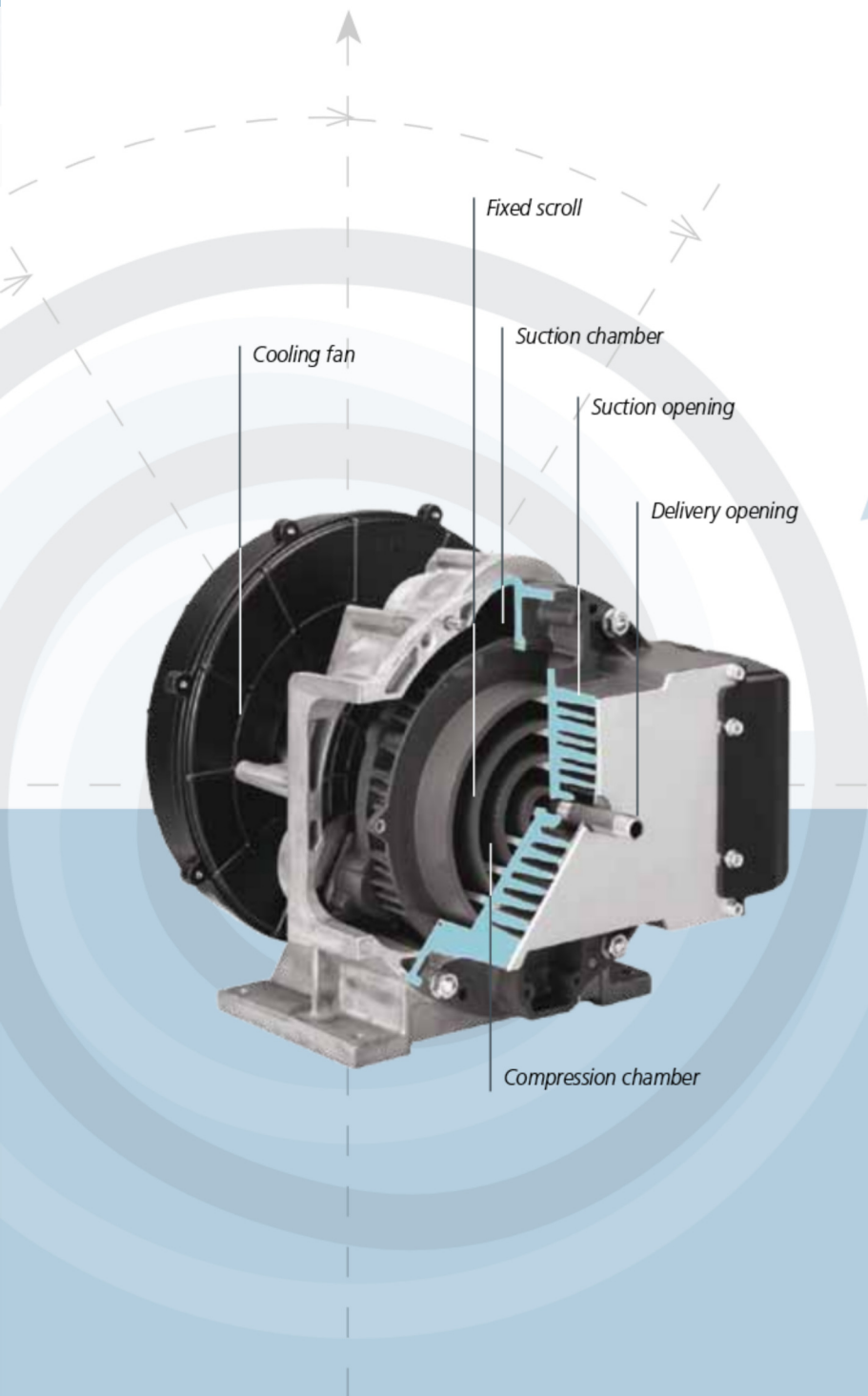


- ▀ Labyrinth Lap for high compressor reliability
- ▀ Alumite treatment.
- ▀ Aluminium die casting.
- ▀ Oil-free compression chamber for high quality air.
- ▀ Oversized roller bearing.
- ▀ Air after-cooler for higher efficiency and durability.



...for high quality compressed air.

The rotating orbiting scroll within the stationary scroll causes a crescent shaped compression cavity. This crescent shaped compression cavity moves around the point of symmetry reducing the cavities size and exhausting the compressed air out of the center of the stationary scroll. No other technology offers fewer moving components and lower bearing loads than the Scroll Compressor.



SCROLL WORKING PRINCIPLE

A flexible design to suit any specific requirement and assurance of operation

SINGLE-SCROLL
from 2.2 to 7.5 kW

The Fini OS range with single scroll unit is extremely quiet and can be installed in any environment ensuring the comfort and safety of all operators with minimum impact to the surroundings.

- Extremely silent.
- Automatic start/stop.
- IE3 Premium Efficiency electric motor.
- Also available with 270-lt or 500-lt air receiver, or with air receiver and refrigerated dryer.



Cooling system

High-standard soundproof material

IE3 electric motor

Scroll unit



High quality compressed air

The OS models with air receiver are optionally available with integrated refrigerated dryer ensuring high quality compressed air, allowing operating efficiency and providing improved final product quality, enhancing competitiveness.



SSC (SingleScrollController)

The advanced controllers fitted to the OS range have been specifically developed to guarantee optimum monitoring and regulation of the compressors operation, allowing flexibility and full programming of the complete compressed air station, for maximum efficiency and safety. The SSC controllers are installed on single-scroll models from 2.2 to 7.5 kW. The LCD display indicates the working conditions and includes remote control, auto-restart functions, alarms and routine maintenance information.

Efficiency + Reliability = Productivity

MULTI-SCROLL
from 11 to 22 kW

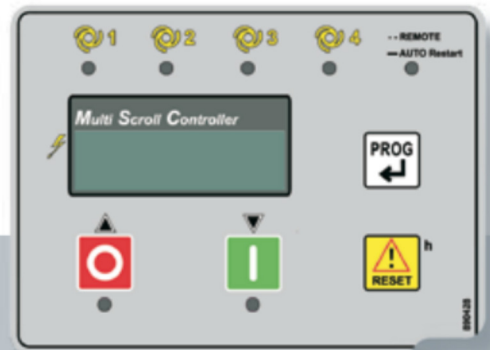
The OS range with "Multi-Scroll" units: two, three or four scroll units integrated in the same machine, as a very flexible modular system, the maximum flexibility to suit any high quality compressed air requirements. The highest manufacturing standards are applied to guarantee the maximum performance and reliability. A proven technology developed to compress air in absolute absence of oil.



Advanced cooling system

Our over-sized premium quality air-air heat exchangers provide our machines with low operating temperatures even in severe working conditions. The large coolers coupled with separate thermostatically controlled electro-fans ensures lower compressed air outlet temperatures.

MSC (MultiScrollController)



The MSC controller is installed on Multi-Scroll models from 11 to 22 kW. The alphanumeric LCD display features full multi-language menu and controls the operation of Multi-Scroll compressors in order to satisfy the air demand automatically starting and stopping the number of compressors needed. Furthermore the MSC controller varies continuously the starting order of the units in order to balance the operating time of each pump. Includes remote control, auto-restart functions, alarms and routine maintenance information.

OS 2.2-7.5 kW

	Code	Air receiver		Power		Air delivered		Max. pressure		Sound level dB(A)	Connec- tion Ø	Net weight		Net dimensions		Gross weight		Gross dimensions	
		l	kW	HP	l/min.	c.f.m.	bar	p.s.i.	kg			Lbs	L x W x H (cm)	kg	Lbs	L x W x H (cm)			
SILENCED - SINGLE-SCROLL																			
OS 2.2																			
OS 2.2-08	VW0SK72FNM521	-	2.2	3	250	8.8	8	116	60	3/4"	125	275.6	80x57x85	139	306.4	94x77x103			
OS 2.2-10	VW0SA72FNM521	-	2.2	3	210	7.4	10	145	60	3/4"	125	275.6	80x57x85	139	306.4	94x77x103			
OS 2.2-08-270	VW3SK72FNM521	270	2.2	3	250	8.8	8	116	60	3/4"	190	418.8	149x57x145.7	220	485	172x75x168			
OS 2.2-10-270	VW3SA72FNM521	270	2.2	3	210	7.4	10	145	60	3/4"	190	418.8	149x57x145.7	220	485	172x75x168			
OS 2.2-08-270 ES	VW3SK72FNM621	270	2.2	3	250	8.8	8	116	60	3/4"	225	496	149x57x145.7	255	562	172x75x168			
OS 2.2-10-270 ES	VW3SA72FNM621	270	2.2	3	210	7.4	10	145	60	3/4"	225	496	149x57x145.7	255	562	172x75x168			
OS 3.7																			
OS 3.7-08	VW0SB92FNM521	-	3.7	5	420	14.8	8	116	62	3/4"	147	324	80x57x85	161	354.8	94x77x103			
OS 3.7-10	VW0DZ92FNM521	-	3.7	5	345	12.2	10	145	62	3/4"	147	324	80x57x85	161	354.8	94x77x103			
OS 3.7-08-270	VW3SB92FNM521	270	3.7	5	420	14.8	8	116	62	3/4"	215	474	149x57x145.7	245	540	172x75x168			
OS 3.7-10-270	VW3DZ92FNM521	270	3.7	5	345	12.2	10	145	62	3/4"	215	474	149x57x145.7	245	540	172x75x168			
OS 3.7-08-270 ES	VW3SB92FNM621	270	3.7	5	420	14.8	8	116	62	3/4"	250	551	149x57x145.7	280	617.1	172x75x168			
OS 3.7-10-270 ES	VW3DZ92FNM621	270	3.7	5	345	12.2	10	145	62	3/4"	250	551	149x57x145.7	280	617.1	172x75x168			
OS 5.5																			
OS 5.5-08	VW0SD92FNM321	-	5.5	7.5	620	21.9	8	116	68	3/4"	212	467.2	90x65x85	226	498.1	94x77x103			
OS 5.5-10	VW0SX92FNM321	-	5.5	7.5	460	16.2	10	145	68	3/4"	212	467.2	90x65x85	226	498.1	94x77x103			
OS 5.5-08-270	VW3SD92FNM321	270	5.5	7.5	620	21.9	8	116	68	3/4"	275	606.1	149x65x142	305	672.2	172x75x168			
OS 5.5-10-270	VW3SX92FNM321	270	5.5	7.5	460	16.2	10	145	68	3/4"	275	606.1	149x65x142	305	672.2	172x75x168			
OS 5.5-08-270 ES	VW3SD92FNM421	270	5.5	7.5	620	21.9	8	116	68	3/4"	310	683.2	149x65x142	340	749.4	172x75x168			
OS 5.5-10-270 ES	VW3SX92FNM421	270	5.5	7.5	460	16.2	10	145	68	3/4"	310	683.2	149x65x142	340	749.4	172x75x168			
OS 7.5																			
OS 7.5-08	VW0SE92FNM321	-	7.5	10	830	29.3	8	116	67	3/4"	222	489.3	90x65x85	236	520.1	94x77x103			
OS 7.5-10	VW0YB92FNM321	-	7.5	10	650	22.9	10	145	67	3/4"	222	489.3	90x65x85	236	520.1	94x77x103			
OS 7.5-08-270	VW3SE92FNM321	270	7.5	10	830	29.3	8	116	67	3/4"	290	639.2	149x65x142	320	705.3	172x75x168			
OS 7.5-10-270	VW3YB92FNM321	270	7.5	10	650	22.9	10	145	67	3/4"	290	639.2	149x65x142	320	705.3	172x75x168			
OS 7.5-08-270 ES	VW3SE92FNM421	270	7.5	10	830	29.3	8	116	67	3/4"	325	716.3	149x65x142	355	782.4	172x75x168			
OS 7.5-10-270 ES	VW3YB92FNM421	270	7.5	10	650	22.9	10	145	67	3/4"	325	716.3	149x65x142	355	782.4	172x75x168			

1500 - 09/17 - 9990075
The models and characteristics in this catalogue may be subject to change without notice.

OS 11-22 kW

	Code	Air receiver		Power		Air delivered (max. / min.)		Max. pressure		Sound level dB(A)	Connec- tion Ø	Net weight		Net dimensions		Gross weight		Gross dimensions	
		l	kW	HP	l/min.	c.f.m.	bar	p.s.i.	kg			Lbs	L x W x H (cm)	kg	Lbs	L x W x H (cm)			
SILENCED - MULTI-SCROLL																			
OS 11 - 2 SCROLL UNITS																			
OS 11-08	VW0SF92FNM021	-	2x5.5	2x7.5	1260/630	44.5/22.5	8	116	67	1"	275	606.1	116x59.7x103.4	297	654.6	129x77x128			
OS 11-10	VW0YA92FNM021	-	2x5.5	2x7.5	1040/520	36.7/18.5	10	145	67	1"	275	606.1	116x59.7x103.4	297	654.6	129x77x128			
OS 15 - 3 SCROLL UNITS																			
OS 15-08	VW0SC92FNM021	-	3x5.5	3x7.5	1890/630	66.7/22.5	8	116	67	1"	493	1086.6	141x80x150	558	1229.8	173x103x165			
OS 15-10	VW0SO92FNM021	-	3x5.5	3x7.5	1560/520	55.1/18.5	10	145	67	1"	493	1086.6	141x80x150	558	1229.8	173x103x165			
OS 22 - 4 SCROLL UNITS																			
OS 22-08	VW0SI92FNM021	-	4x5.5	4x7.5	2520/630	88.9/22.5	8	116	69	1"	580	1278.3	141x80x150	645	1421.6	173x103x165			
OS 22-10	VW0YC92FNM021	-	4x5.5	4x7.5	2080/520	73.4/18.5	10	145	69	1"	580	1278.3	141x80x150	645	1421.6	173x103x165			

- Models from 5.5 to 7.5 kW: 500-lt air receiver available on demand.
- ES = with refrigerated dryer.

Reference conditions: Intake air temperature 20°C (68°F) - atmospheric pressure 1 bar (14.5 psig).
The air flow rates are measured at the following working pressures:
7.5 bar for models at 8 bar - 9.5 bar for models at 10 bar.
The data and performances in accordance with ISO 1217 directives.
Sound level measured in accordance with PNEUROPICAGI standards.



FNA S.p.A.

Registered office and sales department: Via Einaudi, 6 - 10070 Robassomero - Torino - ITALY

Production plant: Via Toscana, 21 - 40069 Zola Predosa - Bologna - ITALY

Tel.: +39 011 9233000 - Fax: +39 011 9241138

www.finicompressors.com - info@fnacompressors.com

